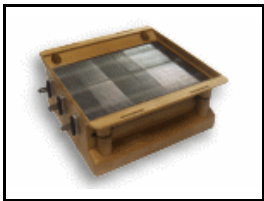


PTC Air Heater Frames

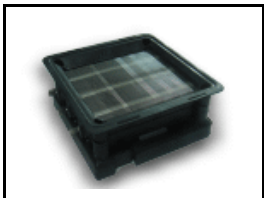
Designed for PTC fan heaters. You can save your budgets on the tooling of new housings by using our PTC Heater Fan Housings together with our PTC fan heaters.

Features

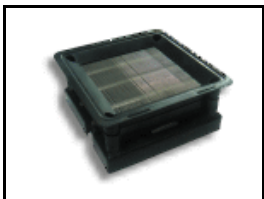
- ◆ High temperature resistance PPS frames
- ◆ Especially designed for PTC air heaters
- ◆ Help you save your time and budgets on PTC air heater housing design.
- ◆ Air heater fan is also available



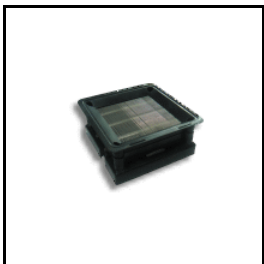
Model: MHF-128
Dimension: 137mm (L) x 135mm (W) x 60mm (H)
Color: Black, brown
Material: PPS plastic
Suitable Model: [MH type with length 128mm \(128mm x 90mm x 26mm \)](#)



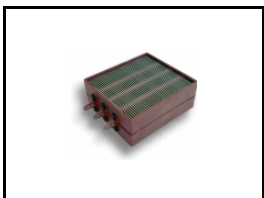
Model: MHF-106
Dimension: 137mm (L) x 135mm (W) x 60mm (H)
Color: Black, brown
Material: PPS plastic
Suitable Model: [MH type with length 106mm \(106mm x 90mm x 26mm \)](#)



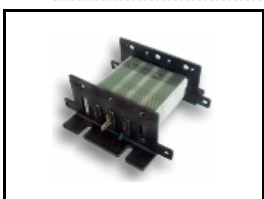
Model: MHF-93
Dimension: 137mm (L) x 135mm (W) x 60mm (H)
Color: Black, brown
Material: PPS plastic
Suitable Model: [MH type with length 93 \(93mm x 90mm x 26mm \)](#)
[SS type with length 96mm \(96mm x 88.5 x 15mm\)](#)



Model: MSHF-70
Dimension: 100mm (L) x 100mm (W) x 52mm (H)
Color: Black, brown
Material: PPS plastic
Suitable Model: [MSH · SH types with length 70mm \(70mm x 65mm x 26mm \)](#)
NEW!! [SS Type with length 72mm \(72mm x 46/66/70mm x 15mm\)](#)



Model: MSHF
Dimension: 77mm (L) x 71mm (W) x 30mm (H)
Color: Black, brown
Material: PPS plastic
Suitable Model: [MSH · SH types with length 70mm \(70mm x 65mm x 26mm\)](#)

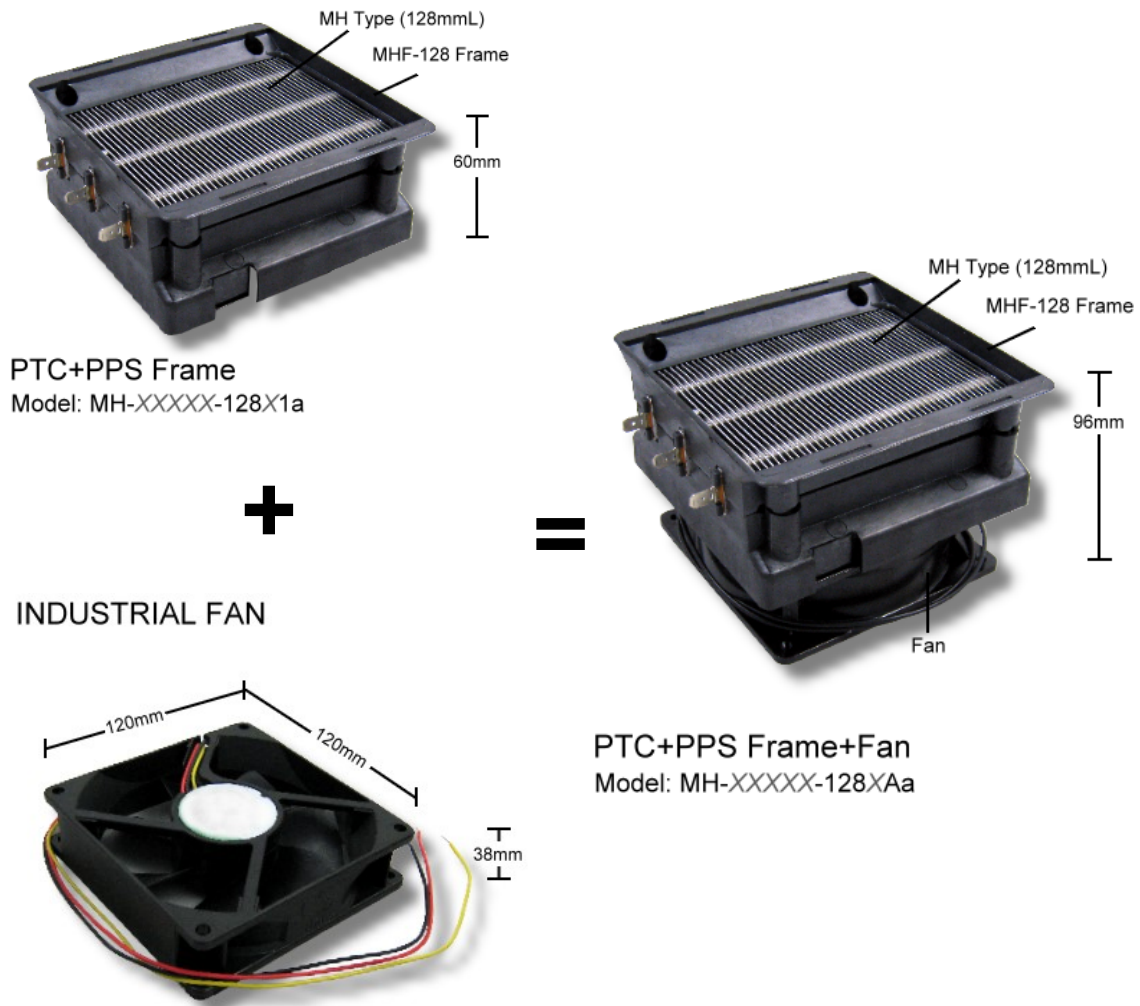


Model: MHF-90
Dimension: 92mm (L) x 50.5mm (W) x 23.5mm (H)
Color: Black, brown
Material: PPS plastic
Suitable Model: All heater types

ACCESSORIES: Mounting Frames and Fan

You can save your budgets on new housings by using our PTC Heater Fan Housings together with our PTC heater fans.

Assembly example for MH type PTC heater fan:



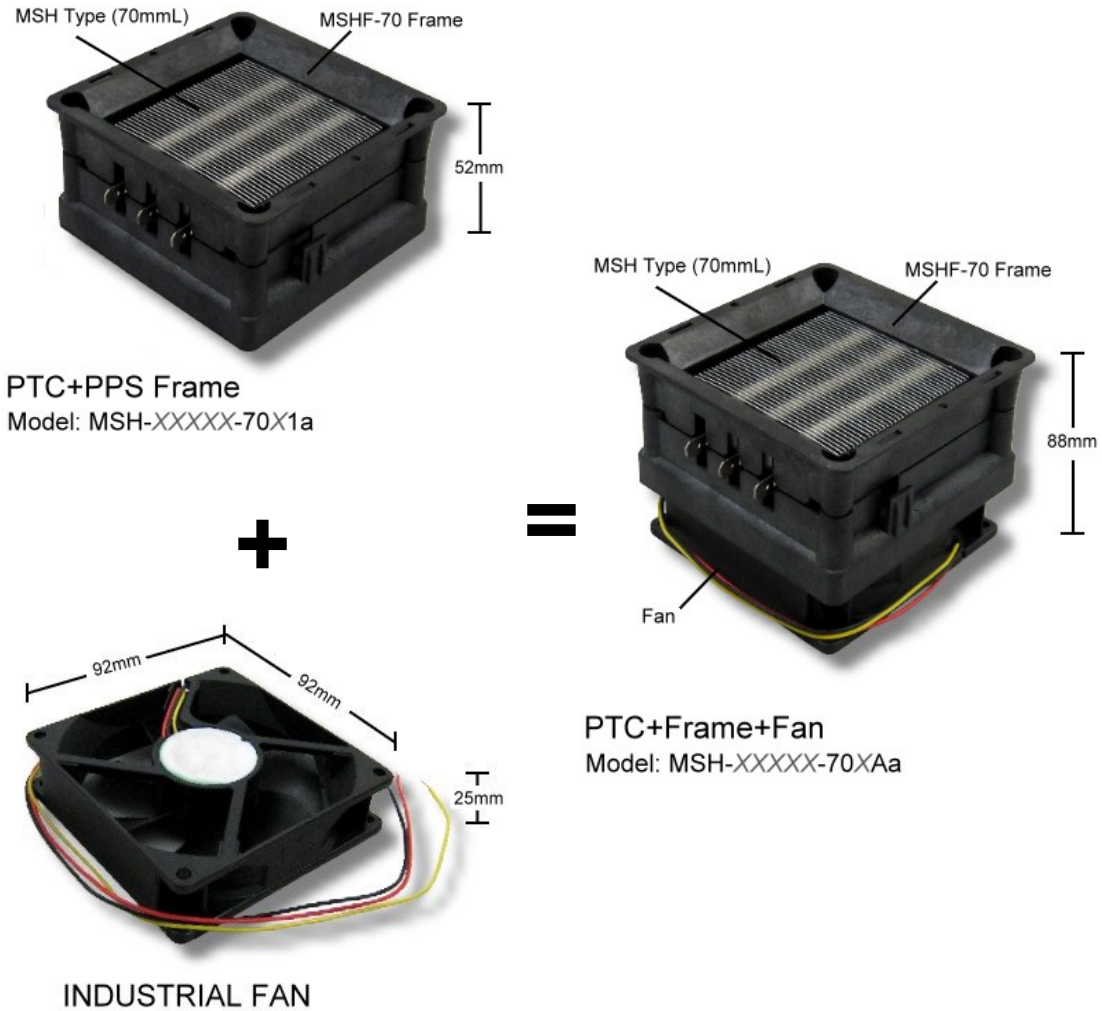
MH Type PPS Frame and Fan (large):

PPS Frame Model	MHF-128	MHF-106	MHF-93
Frame Dimension	137mm (L) x 135mm (W) x 60mm (H)		
Frame Color	Black		
Frame Material	PPS plastic		
Suitable for models	MH Type	MH Type	MH Type
L x W x T(mm)	128 x 90 x 26(mm)	106 x 90 x 26(mm)	93 x 90.0 x 26(mm) SS Type 96 x 88.5 x 15(mm)
Fan Dimension	120mm (L) x 120mm (W) x 38mm (H)		
Housing with Fan Dimension	137mm (L) x 135mm (W) x 96mm (H)		

** Other accessories are also available.

ACCESSORIES: Mounting Frames and Fan

Assembly example for MSH type PTC heater fan:



MSH Type PPS Frame and Fan (small):

PPS Frame Model	MSHF-70
Frame Dimension	100mm (L) x 100mm (W) x 52mm (H)
Frame Color	Black
Frame Material	PPS plastic
Suitable for models	MSH and SH Types (70mm x 65mm x 26mm) SS Types (72mm x 46/66/70mm x 15mm) NEW!
Fan Dimension	92mm (L) x 92mm (W) x 25mm (H)
Housing with Fan Dimension	100mm (L) x 100mm (W) x 77mm (H)

ACCESSORIES: Other Accessories

A total solution for you project need! Stop going through the trouble of finding different suppliers with various lead times, or worrying about stocking up accessories while the project is only on pilot run. You can save your time and energy by using our PTC Heater together with our PTC heater fans and accessories!

Protective Shield



Thermostat Protectors



Fixing Screws



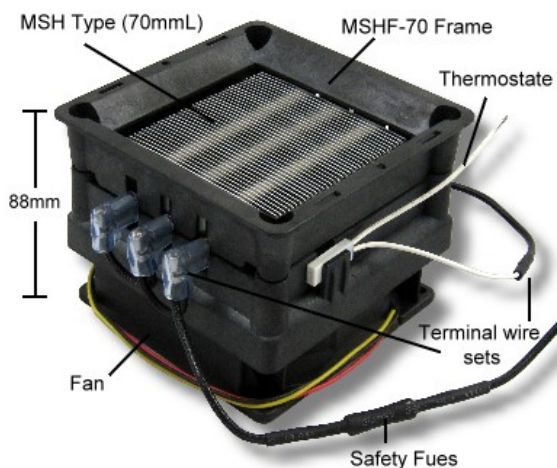
Terminals



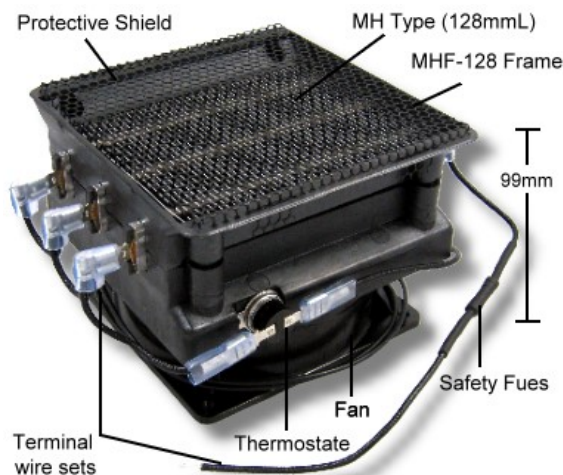
Terminal + Fuse



Full Assembly Examples of Models MSH and MH Type



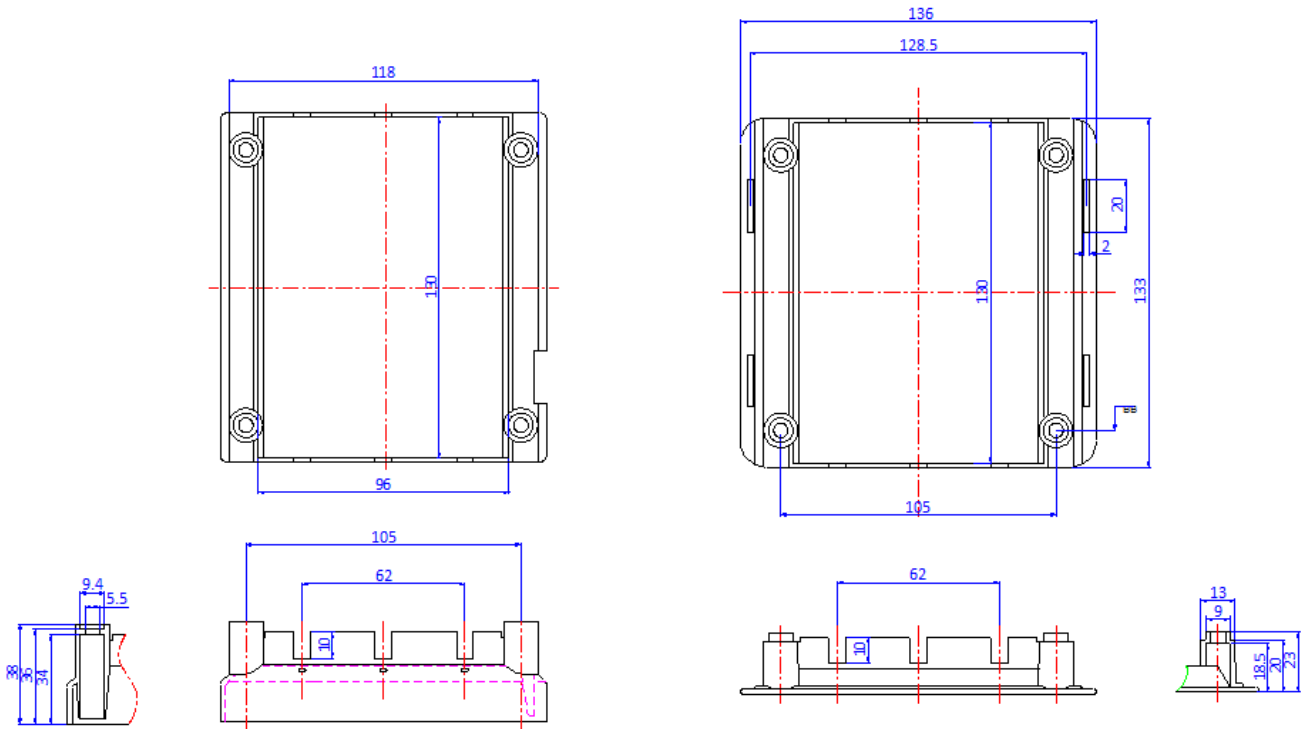
PTC+Frame+Fan+Accessories
Model: MSH-XXXXX-70XBa



PTC+Frame+Fan+Shield+Accessories
Model: MH-XXXXX-128XDa

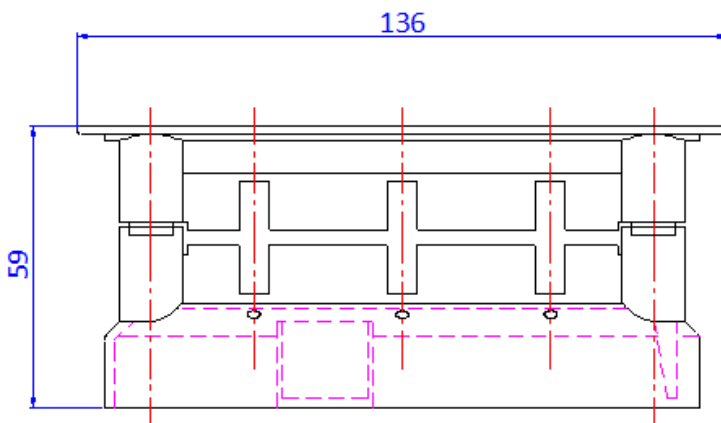
MHF-128

- Model :** MHF-T128 (top frame)
MHF-B128 (bottom frame)
- Dimension :** 137mm (L) x 135mm (W) x 60mm (H)
- Color :** black
- Material :** PPS plastic
- Suitable for model :** [MH Type \(128mm x 90mm x 26mm\)](#)



MHF-B128
Material : PPS

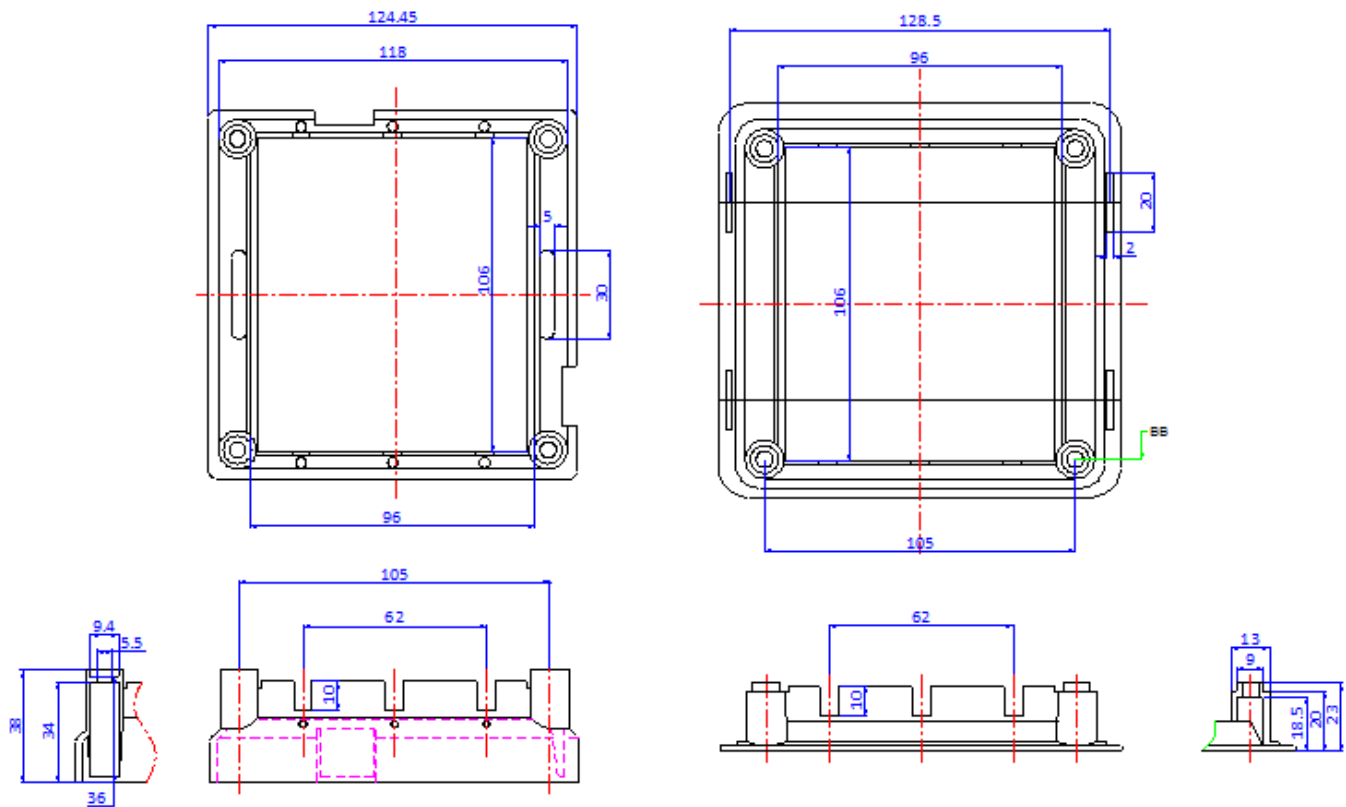
MHF-T128
Material : PPS



ASSEMBLY

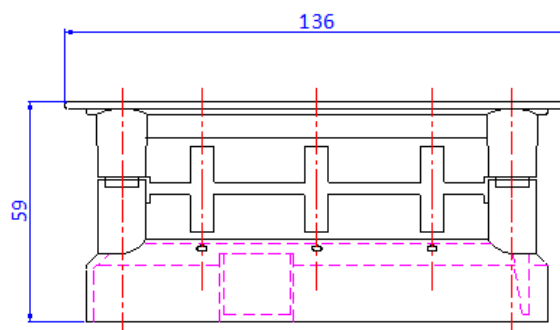
MHF-106

- Model :** MHF-T106 (top frame)
MHF-B106 (bottom frame)
- Dimension :** 137mm (L) x 135mm (W) x 60mm (H)
- Color :** black
- Material :** PPS plastic
- Suitable for model :** [MH Type \(106mm x 90.0mm x 26mm \)](#)
[SS Type \(96mm x 88.5mm x 15mm\)](#)



MHF-B106
Material : PPS

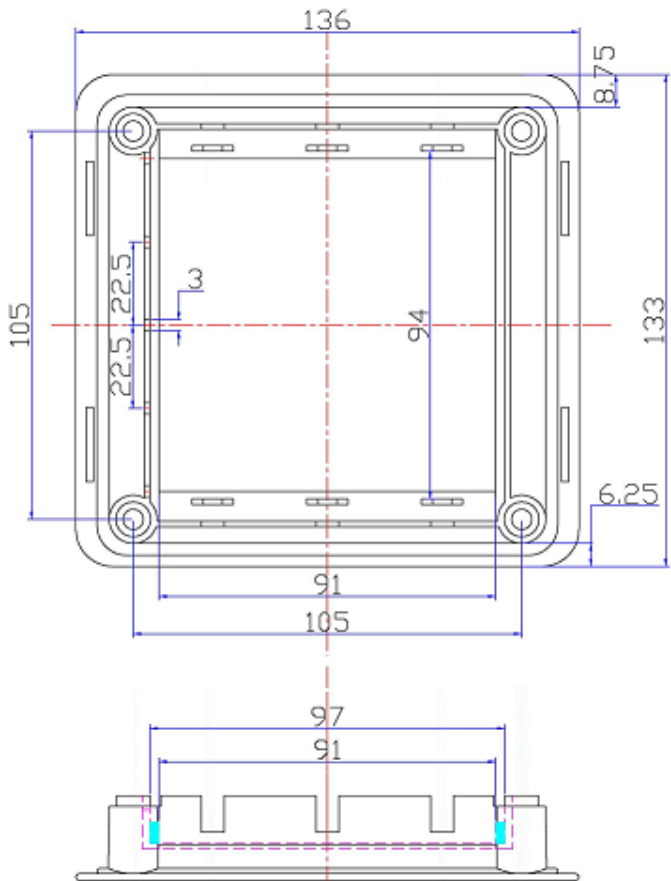
MHF-T106
Material : PPS



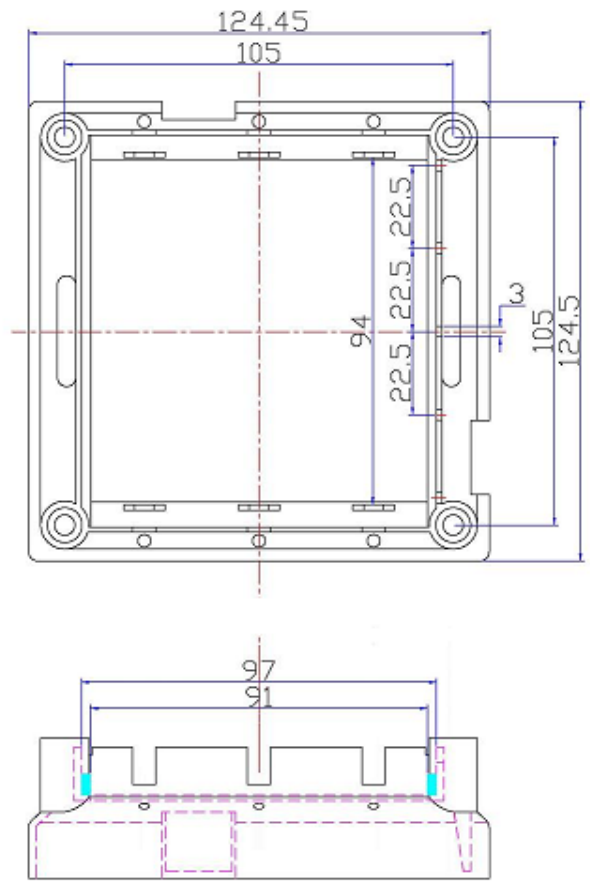
ASSEMBLY

MHF-93

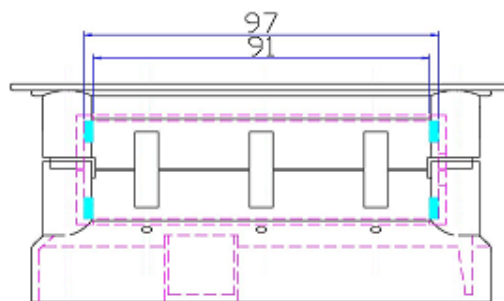
- Model :** MHF-T93 (top frame)
MHF-B93 (bottom frame)
- Dimension :** 137mm (L) x 135mm (W) x 60mm (H)
- Color :** black
- Material :** PPS plastic
- Suitable for models :** [MH Type \(93mm x 90mm x 26mm \)](#)
[SS Type \(96mm x 88.5mm x 15mm\)](#)



MHF-T93
Material:PPS



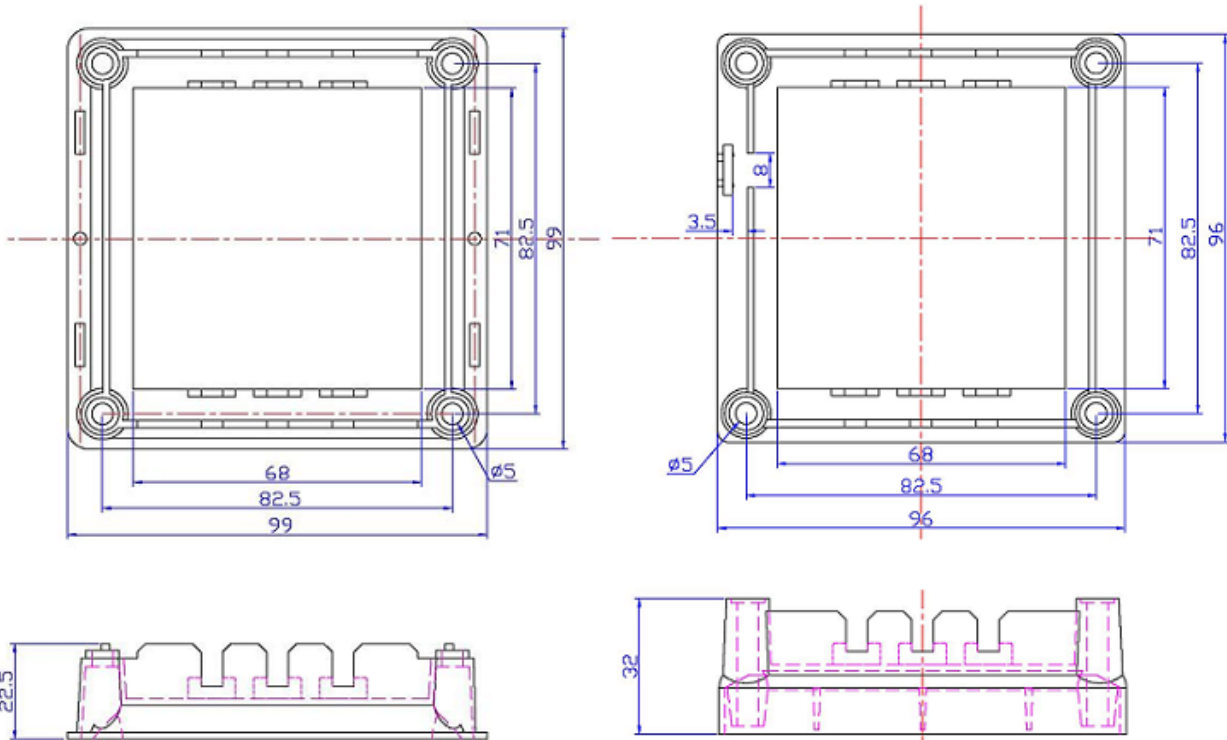
MHF-B93
Material:PPS



ASSEMBLY

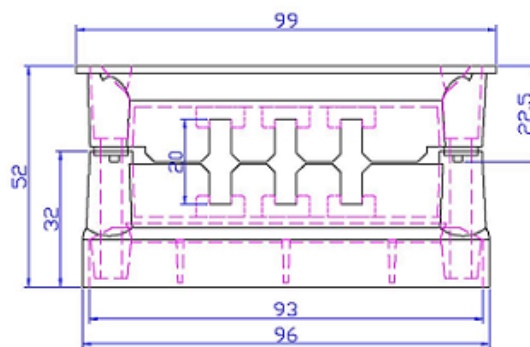
MSHF-70

- Model :** MSHF-T70 (top frame)
MSHF-B70 (bottom frame)
- Dimension :** 100mm (L) x 100mm (W) x 52mm (H)
- Color :** black
- Material :** PPS plastic
- Suitable for models :** [MSH & SH Type \(70mm x 65mm x 26mm \)](#)
[SS Types \(72mm x 46/66/70mm x 15mm\)](#) **NEW!**



MSHF-T70
Material:PPS

MSHF-B70
Material:PPS



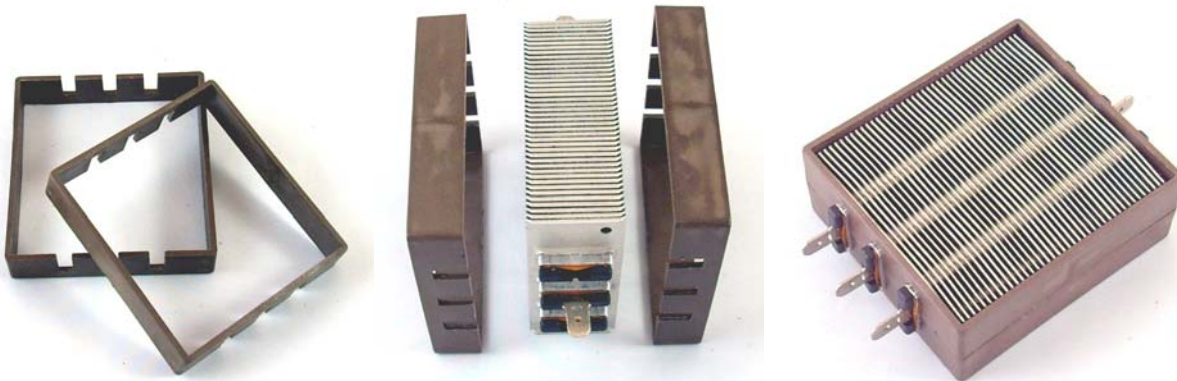
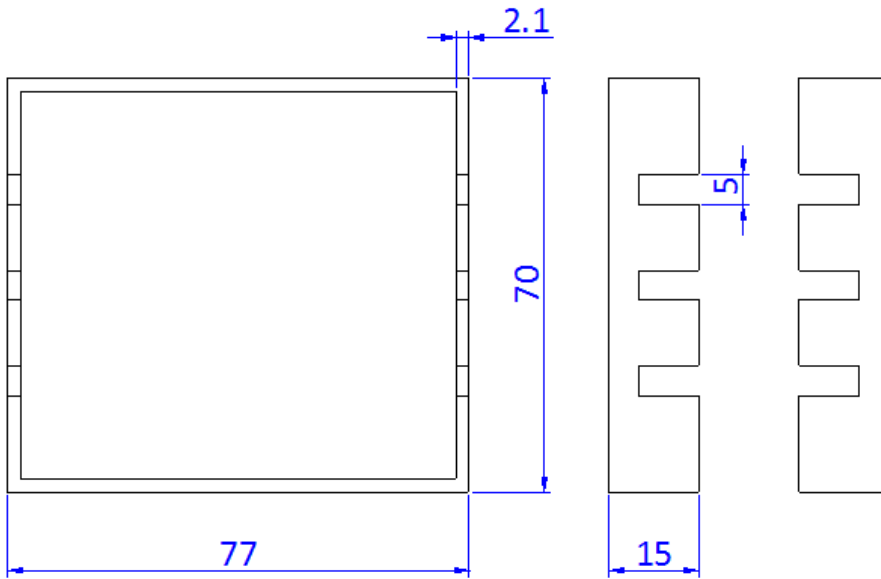
ASSEMBLY



This catalog contains standard specifications only. You are required to approve our product specification or to transact the approval sheet for product specification before ordering.

MSHF

- Model :** MSHF (top frame)
MSHF (bottom frame)
- Dimension :** 77mm (L) x 71mm (W) x 30mm (H)
- Color :** black, brown
- Material :** PPS plastic
- Suitable for models :** [MSH & SH Type \(70mm x 65mm x 26mm \)](#)

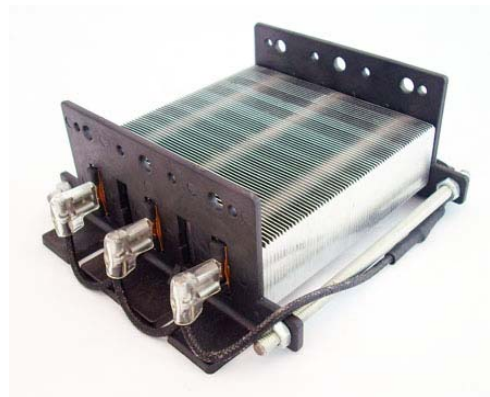
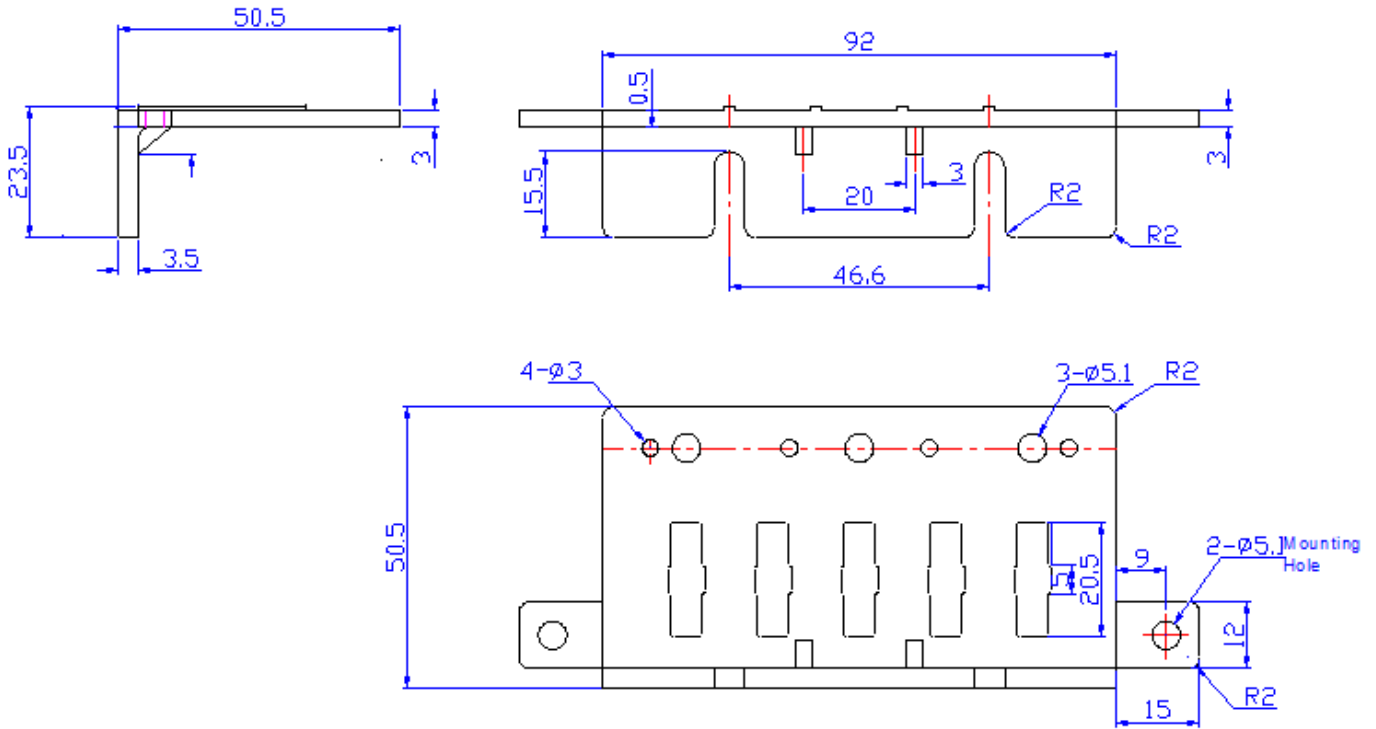


This catalog contains standard specifications only. You are required to approve our product specification or to transact the approval sheet for product specification before ordering.

MHF-90

- Model :** [MHF-90](#)
- Dimension :** 77mm (L) x 71mm (W) x 30mm (H)
- Color :** black, brown
- Material :** PPS plastic
- Suitable for model :** All Heater Types

Technical Drawing

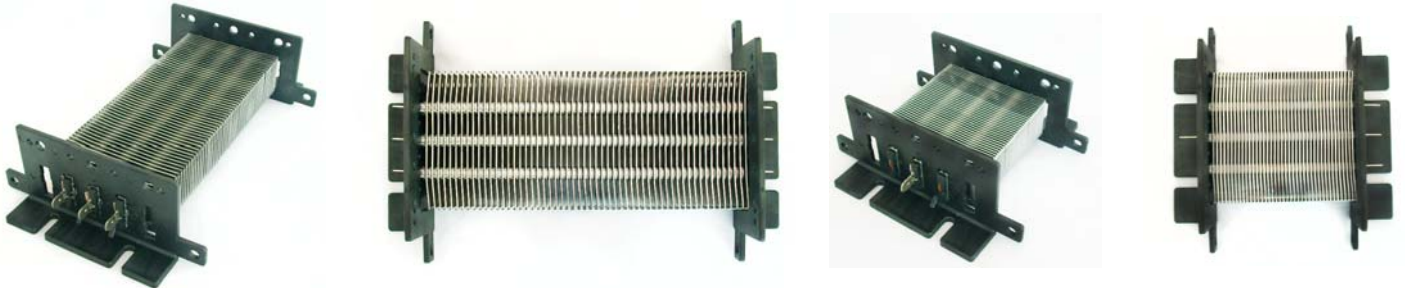


This catalog contains standard specifications only. You are required to approve our product specification or to transact the approval sheet for product specification before ordering.

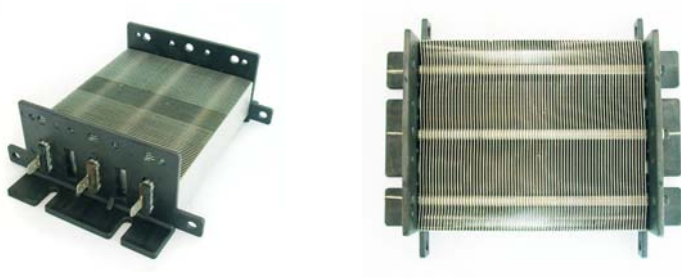
OH Type



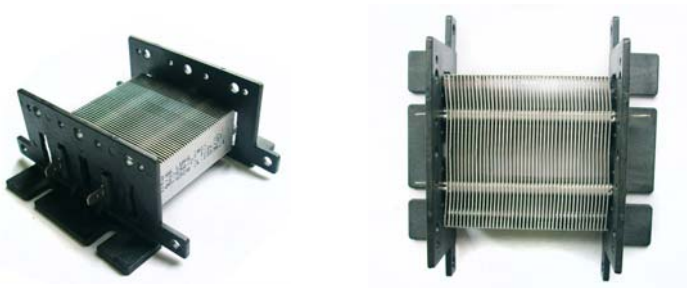
MSH Type






MH Type



SH Type



UL Certificate

 the standard in safety		Underwriters Laboratories
File E315621	Vol 1	Issued: 2007 09-03
		Revised:
FOLLOW-UP SERVICE PROCEDURE (TYPE R)		
COMPONENT - HEATERS, SPECIALTY (KSOT2, KSOT8)		
Manufacturer: (100224-698)	TAIWAN KING LUNG CHIN PTC CO LTD NO 81 TAN FU RD SEC 1 TAN TZU HSIANG TAICHUNG HSIEN 42753 TAIWAN	
Applicant: (623071-001)	TAIWAN KING LUNG CHIN PTC CO LTD NO 81 TAN FU RD SEC 1 TAN TZU HSIANG TAICHUNG HSIEN 42753 TAIWAN	
Recognized Company: (623071-001)	SAME AS APPLICANT	
<p>This Procedure authorizes the above manufacturer to use the marking specified by Underwriters Laboratories Inc. (UL), or any authorized licensee of UL, only on products covered by this Procedure, in accordance with the applicable UL Services Agreement.</p> <p>The prescribed Mark or Marking shall be used only at the above manufacturing location on such products which comply with this Procedure and any other applicable requirements.</p> <p>The Procedure contains information for the use of the above named Manufacturer and representatives of Underwriters Laboratories Inc. and is not to be used for any other purpose. It is lent to the Manufacturer with the understanding that it is not to be copied, either wholly or in part, and that it will be returned to Underwriters Laboratories Inc. (UL) or any authorized licensee of UL, upon request.</p> <p>This PROCEDURE, and any subsequent revision, is the property of Underwriters Laboratories Inc. (UL) and the authorized licensee of UL and is not transferable.</p> <p>Underwriters Laboratories Inc.</p>		
		
Stephen Hewson Senior Vice President Global Follow-Up Service Operations	William R. Carney Director North American Certification Program	

CAUTION

Hazard of fire:

- ✧ Do not mount PTC air heaters near combustible materials or within a hazardous area.
- ✧ PTC air heaters should never be used in an explosive atmosphere.

Electrical Shock:

- ✧ Disconnect electrical power before servicing heater. All electrical wiring must be done in accordance to local electrical codes by a qualified service technician.
- ✧ Do not touch the PTC air heater after power is applied.
- ✧ Never immerse PTC air heaters in liquids.
- ✧ PTC air heaters with single insulation have voltage-carrying metal parts. Please handle with care!

Severe Burns:

- ✧ PTC air heaters operate at high temperatures. Do not touch heaters after power is applied.

Operating Environment:

- ✧ Do not operate PTC air heaters at a surface temperature greater than 1292°F (700°C)
- ✧ The operation of PTC air heaters with insufficient air flow will lead to an impairment of its functions and life-time.
- ✧ PTC air heater is designed for operation in dry and dust free environment.